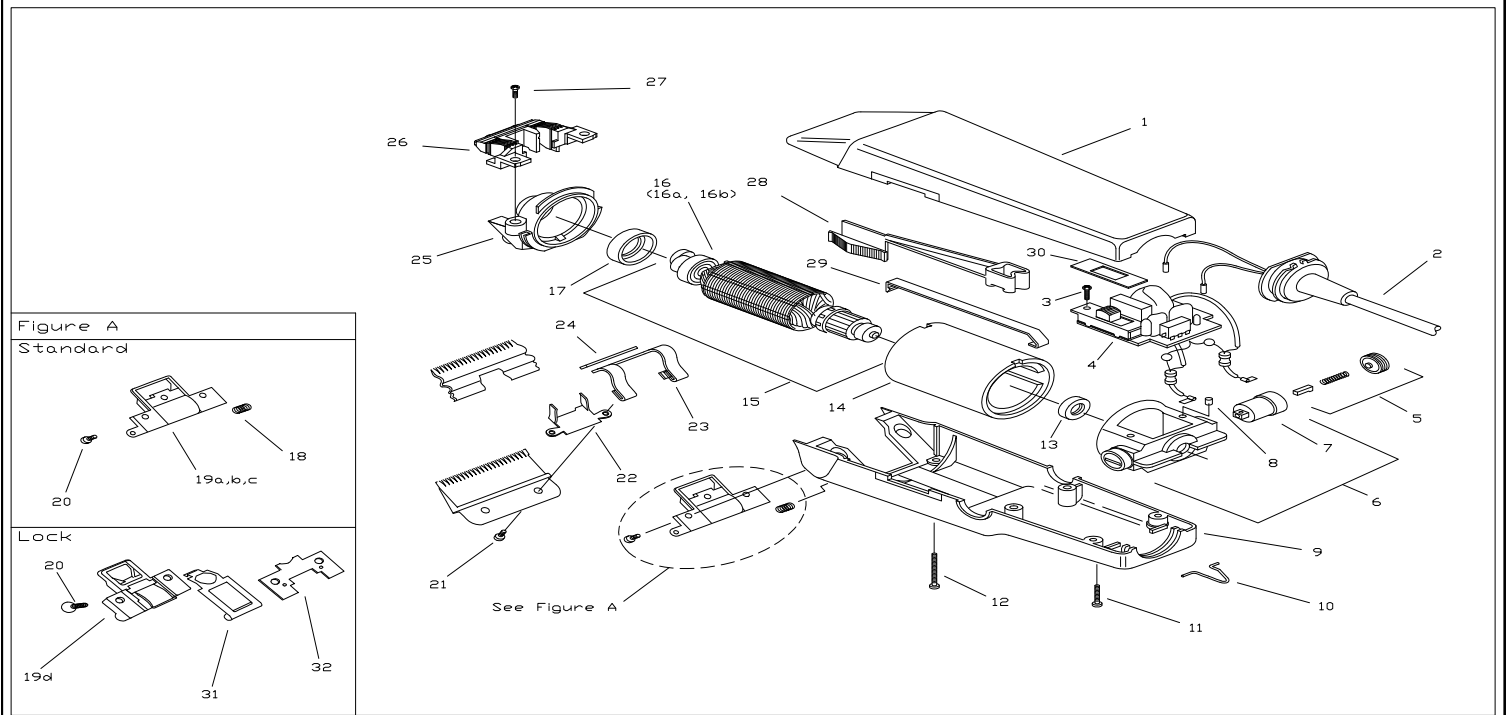




2 SPEED MODEL AG2 CLIPPER
 SUPER 2 SPEED MODEL AG2 CLIPPER
 2 SPEED MODEL BG2 CLIPPER
 GOLD 2 SPEED MODEL BG2 CLIPPER
 120 VOLTS



ITEM NO.	PART NO.	DESCRIPTION	QTY. REQ'D
1		Upper Housing	
1a	20112	AG2 Upper Housing	1
1b	27323	Super AG2 Upper Housing	1
2		Cord Set	
2a	21790	Cord Set (AG2 USA/CSA 14 feet)	1
2b	21164	Cord Set (BG2 UL/CSA)	1
3	65828	Screw	2
4	20024	Speed Control - 2 speed	1
5	21812	Brush Repair Kit	1
6	21766	Brush Housing (Incls items 7 and 8)	1
7	21432	Brush Holder	1
8	21021	Set Screw	2
9		Lower Housing	
9a	24847	AG2 Lower Housing USA	1
9b	27271	AG2 Lower Housing CSA	1
9c	22163	BG2 Lower Housing UL	1
9d	22658	Super AG2 Lower Housing USA	1
9e	27269	Super AG2 Lower Housing CSA	1
10	25018	Hanger Bail	1
11	21050	Rear Housing Screw	2
12	21048	Front Housing Screw	2
13	21067	Small Bearing Mounting Ring	1
14		Field Assembly	
14a	27352	Field Assembly AG2	1
14b	22453	Field Assembly Super AG2	1
15		AG2 Armature assy	
15a	27072	AG2 Armature Assy - USA (inc. item #16a)	1
15b	21977	AG2 Armature assy - CSA (inc. item #16b)	1

ITEM NO.	PART NO.	DESCRIPTION	QTY. REQ'D
16		Cam and Bearing Assy	
16a	27251	Metal Cam & Bearing Assy (AG2 USA)	1
16b	27854	Plas. Cam/Bearing Assy (BG2 UL)	1
17	21068	Large Bearing Mounting Ring	1
18	S21014	Blade Retaining Spring	1
19		Hinge Assembly	
19a	28194	Hinge Assy (BG & Oster 76 & 89)	1
19b	S27091	Hinge Assy (BG & Oster 10, 22, 111)	1
19c	28193	Hinge Assy (AG2 & Super AG2)	1
19d	63897	Hinge Assy - Locking	1
20	27864	Blade Hinge Screw	2
21	64139	Blade Screw	2
22	64003	Blade Bracket	1
23	64013	Tension Spring	1
24	64027	Blade Guide	1
25	27181	Front Motor Frame Assy	1
26	S20651	Blade drive Assembly	1
27	15766	Blade Drive Screw	2
28	21452	Switch Actuating Arm	1
29	27198	Motor Frame Retaining Clip	2
30	21063	Insulator	1
31	64537	Blade Lock	1
32	64535	Lock Keeper	1

IMPORTANT INFORMATION

When ordering repair parts, include part number, part name and model of trimmer. For best performance, trimmer blades should be CLEANED and OILED with Andis Clipper Oil before and after use. If repair is necessary, return to any Andis Authorized Repair Service Station, or to Andis Company, 1800 Renaissance Blvd., Sturtevant, Wisconsin, 53177 U.S.A.. Pack carefully, mail either Insured Parcel Post, or U.P.S., attach a letter to outside of package explaining difficulty.