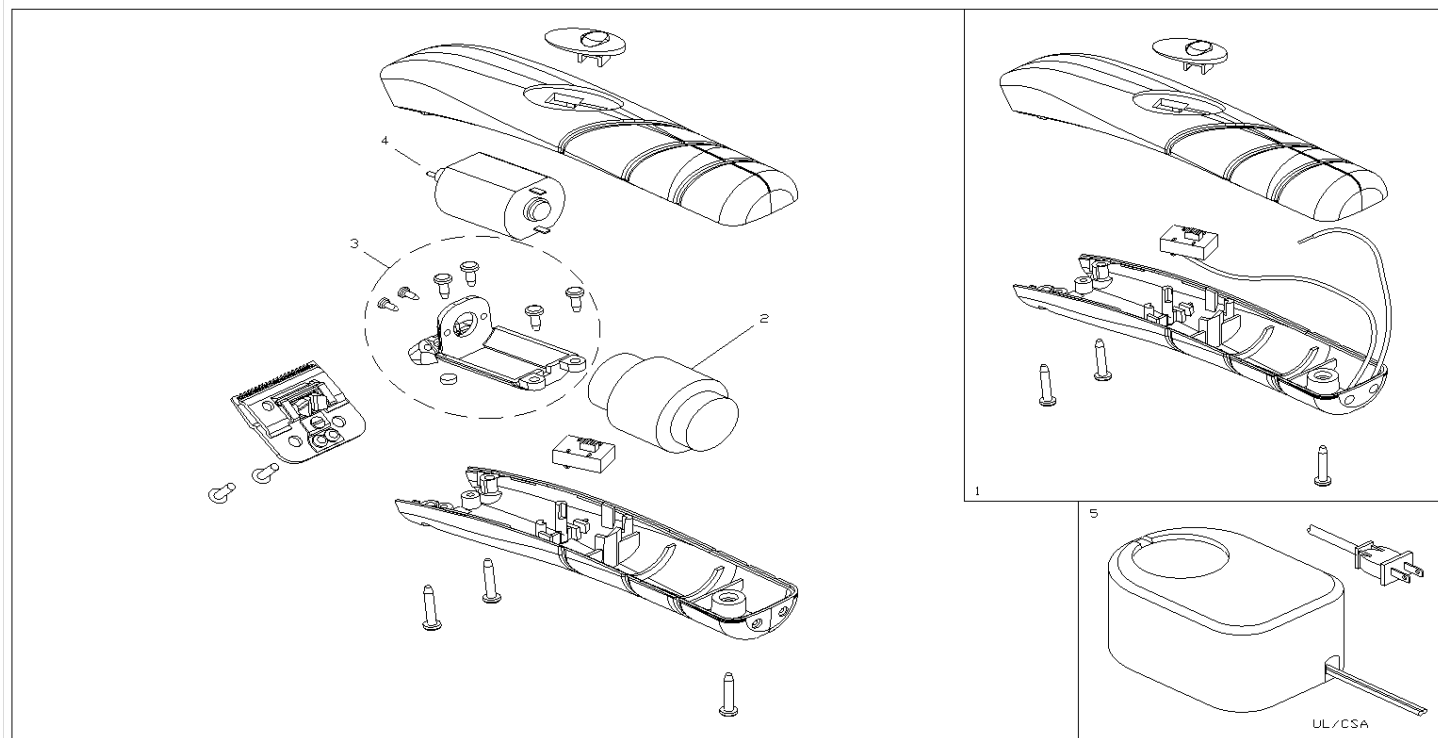




# D-4 CORDLESS TRIMMER 120 VOLT



ITEM NO.	PART NO.	DESCRIPTION	QTY. REQ'D
1	***	Upper Housing Assembly (Includes Upper Housing, Lower Housing with attached neg. and pos. wires, Switch Actuator, Housing Screws (3), and Switch)	
1a	69074	Upper Housing (Black Chrome with Andis Logo), Lower Housing (Black)	1
1b	69073	Upper Housing (Black Chrome with Xperience Logo), Lower Housing (Black)	1
1c	69072	Upper Housing (Black Chrome with TrendSetter logo), Lower Housing (Black)	1
1d	69071	Upper Housing (Chrome with Andis logo), Lower Housing (Black)	1
1e	69069	Upper Housing (Chrome with Andis logo), Lower Housing (Black with Soft Grip)	1
1f	69068	Upper Housing (Metallic Silver with Andis logo), Lower Housing (Black)	1
1g	69067	Upper Housing (Gold with Andis logo), Lower Housing (Gold)	1
2	69024	Battery Assembly (Includes Battery and foam Pad)	1

ITEM NO.	PART NO.	DESCRIPTION	QTY. REQ'D
3	69027	Motor Mount Assembly (Includes Motor Mount, Magnet, Motor Mount Screws (4) and Motor Screws (2))	1
4	69028	Motor Assembly (Includes Motor, Cam, and Black Rubber Pads (2))	1
5	32730	Charger (120 Volt)	1
<p>*** Note: Upper Housing, Lower Housing, Neg and Pos Wires, Switch Actuator, Housing Screws, and Switch can not be serviced individually. They must all be serviced together.</p>			

### IMPORTANT INFORMATION

When ordering repair parts, include part number, part name and model of trimmer. For best performance, trimmer blades should be CLEANED and OILED with Andis Clipper Oil before and after use. If repair is necessary, return to any Andis Authorized Repair Service Station, or to Andis Company, 1800 Renaissance Blvd., Sturtevant, Wisconsin, 53177 U.S.A.. Pack carefully, mail either Insured Parcel Post, or U.P.S. , attach a letter to outside of package explaining difficulty.