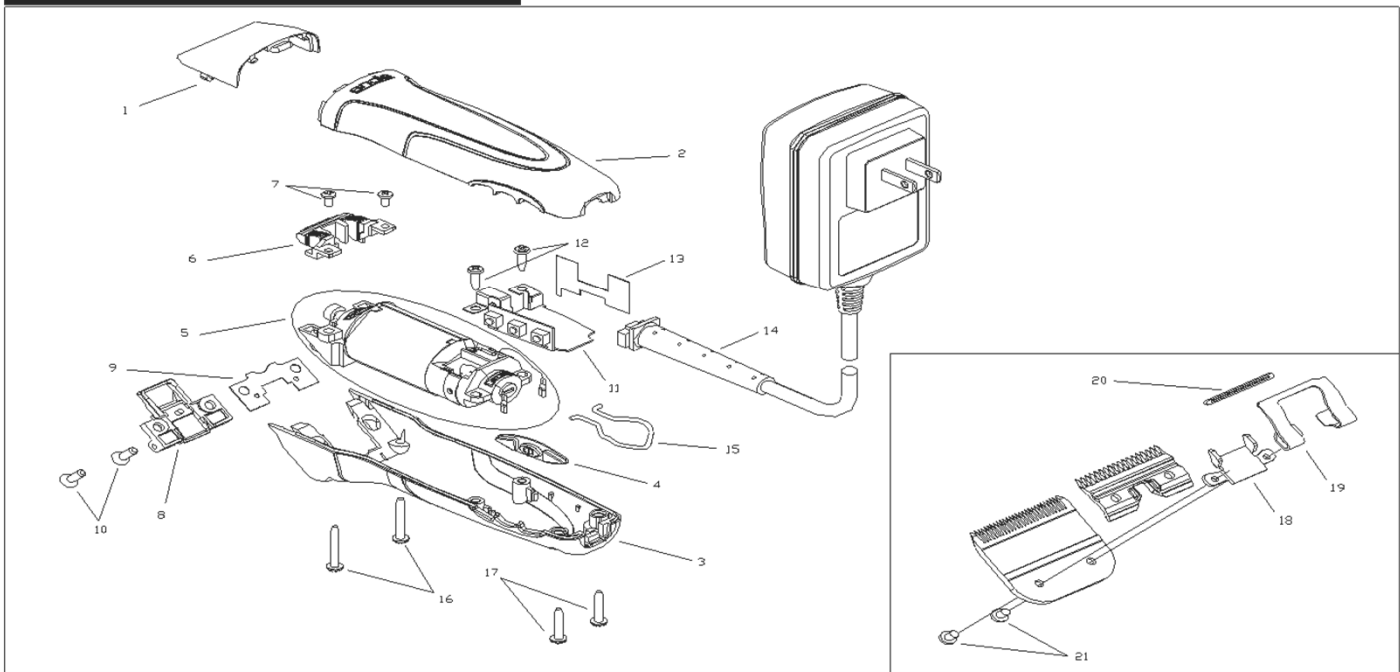


andis®

MODEL SMC CLIPPER
120 VOLT



ITEM NO.	PART NO.	DESCRIPTION	QTY. REQ'D	ITEM NO.	PART NO.	DESCRIPTION	QTY. REQ'D
1		Drive Cap Assemblies		3g	201317	Lower Housing (Metallic Fuchsia)	1
1a	200362	Drive Cap Assembly (Pink)	1	3h	201389	Lower Housing (Black)	1
1b	200363	Drive Cap Assembly (Metallic Silver)	1	4	60802	Switch Button	1
1c	200364	Drive Cap Assembly (Metallic Blue)	1	5	13618	Motor Assembly	1
1d	200366	Drive Cap Assembly (Lime Green)	1	6	S20656	Blade Drive Assembly	1
1e	200367	Drive Cap Assembly (Purple)	1	7	15766	Blade Drive Screw	2
1f	200368	Drive Cap Assembly (Metallic Black)	1	8	S63897	Hinge Assembly	1
1g	200369	Drive Cap Assembly (Black)	1	9	64535	Lock Keeper	1
1h	201497	Drive Cap Assembly (Burgundy)	1	10	27864	Blade Hinge Screw	2
1i	201498	Drive Cap Assembly (Metallic Fuchsia)	1	11	60801	Circuit Board	1
2		Upper Housing		12	65828	Screw	2
2a	201076	Upper Housing (Pink)	1	13	60701	Insulator	1
2b	201077	Upper Housing (Metallic Silver)	1	14	64940	Cord Set	1
2c	201083	Upper Housing (Metallic Blue)	1	15	25542	Hanger Bail	1
2d	201084	Upper Housing (Lime Green)	1	16	64606	Front Housing Screw	2
2e	201086	Upper Housing (Purple)	1	17	60804	Rear Housing Screws	2
2f	201314	Upper Housing (Burgundy)	1	18	64003	Blade Bracket	1
2g	201316	Upper Housing (Metallic Fuchsia)	1	19	64013	Tension Spring	1
2h	201388	Upper Housing (Black)	1	20	64027	Blade Guide	1
3		Lower Housing		21	64139	Blade Screw	2
3a	201089	Lower Housing (Pink)	1				
3b	201091	Lower Housing (Metallic Silver)	1				
3c	201097	Lower Housing (Metallic Blue)	1				
3d	201098	Lower Housing (Lime Green)	1				
3e	201099	Lower Housing (Purple)	1				
3f	201315	Lower Housing (Burgundy)	1				

IMPORTANT INFORMATION

When ordering repair parts, include part number, part name and model of trimmer. For best performance, trimmer blades should be CLEANED and OILED with Andis Clipper Oil before and after use. If repair is necessary, return to any Andis Authorized Repair Service Station, or to Andis Company, 1800 Renaissance Blvd., Sturtevant, Wisconsin, 53177 U.S.A.. Pack carefully, mail either Insured Parcel Post, or U.P.S. , attach a letter to outside of package explaining difficulty.