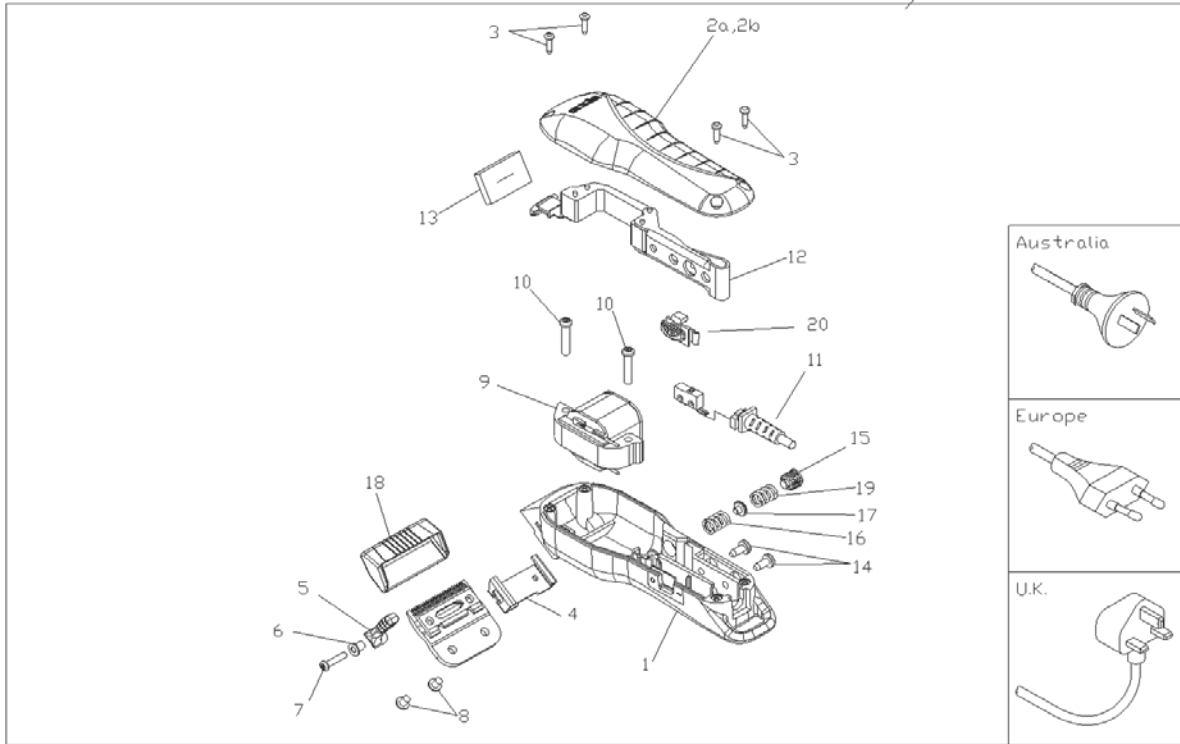




SERVICE PARTS LIST
MODEL US-1 CLIPPER
230/240 VOLT



ITEM NO.	PART NO.	DESCRIPTION	QTY. REQ'D
1	200808	Lower Hosing (Euro)(UK)(AUS)	1
2		Upper Housing	
2a	66181	Upper Housing - Metallic Red (usPRO)	1
2b	66249	Upper Housing - Gold (Fade)	1
3	66177	Housing Screw	4
4	66303	Blade Bracket	1
5	66122	Lever Arm	1
6	201001	Lever Arm Brushing	1
7	66107	Lever Arm Screw	1
8	66319	Blade Screw	2
9	S66274	Field Assembly with terminal	1
10	201134	Field Screw	2
11		Cord and Switch Assembly	
11a	201036	Cord and Switch Assembly (Euro)	1
11b	201037	Cord and Switch Assembly (UK)	1
11c	201198	Cord and Switch Assembly (Aus)	1
12	S66127	Armature Assembly	1
13	66131	Hair Guard	1

ITEM NO.	PART NO.	DESCRIPTION	QTY. REQ'D
14	66394	Armature Mounting Screw	2
15	66114	Power Screw	1
16	66367	Power Spring	1
17	66116	Spring Pad	1
18	75296	Blade Guard	1
19	66366	Power Spring	1
20	200584	Switch Button	1

IMPORTANT INFORMATION
When ordering repair parts, include part number, part name and model of trimmer. For best performance, trimmer blades should be CLEANED and OILED with Andis Clipper Oil before and after use. If repair is necessary, return to any Andis Authorized Repair Service Station, or to Andis Company, 1800 Renaissance Blvd., Sturtevant, Wisconsin, 53177 U.S.A.. Pack carefully, mail either Insured Parcel Post, or U.P.S. , attach a letter to outside of package explaining difficulty.